



MEMORANDUM

DATE: April 21, 2017
TO: Mayor & Council Members
FROM: Mike Anderson, Assistant to the City Manager
SUBJECT: City Manager's Report

Fire Hydrant Flushing Notice

(Waseca, MN) The City of Waseca Water Department will begin the semi-annual fire hydrant flushing program on **Monday, April 24th 2017**. Utility staff will begin flushing in the southwest section of the city, moving to the southeast, northwest and finally the northeast section. The process takes approximately one week.

The purpose of this program is to verify the proper operation of the city's fire hydrants through periodic inspections, flow testing, and preventive maintenance. The hydrant flushing program is also important in maintaining water quality.

Fire hydrant flushing may cause a reduction in water pressure and aesthetic issues such as discoloration of the drinking water for a short time. Discolored water poses no threat to the public's health, but it may stain laundry. Please allow a few hours for discoloration to dissipate. To verify, allow your cold water tap to run a few minutes. Although residents may experience some temporary inconveniences, the flushing program is necessary to maintain a good water supply. For more information, please contact City of Waseca Utility Billing Department, at 835-9718.

Contact: City of Waseca
Person: Carl Sonnenberg, Utilities Director
Telephone Number: 507-835-9713
E-mail Address: carls@ci.waseca.mn.us

Waseca Fire Department Controlled Burn

On Wednesday, April 26 the Waseca Fire Department will be doing a controlled burn at **29392 90th Street**. These controlled burns allow the fire fighters to train in real life situations. Please stay a reasonable distance from this location to allow for a safe training environment.

Volunteers Needed!

The Waseca Lakes Association is hosting its 19th Annual Lakes and Parks cleanup on April 29. Please see attached flyer for more information.

Waseca Area Events

April 22

How-To Festival
Waseca Public Library
408 N. State Street
9:00 AM - 1:00 PM CDT

Wild Goose Chase Cloggers

Waseca Art Center: Schultz Auditorium
200 North State St

7:00 PM - 9:00 PM

\$10 admission

April 23

The Waseca Chorale presents "Oh, the Places You'll Go!"

Starfire Event Center

204 2nd St SW

4:00 PM

\$12 admission

April 25

BEST of Waseca County Spring Business Summit

Southern Research & Outreach Center

35838 120th St

8:00 AM Registration, 8:30 AM Program lunch included

RSVP April 21 at 833-9281 or garys@ci.waseca.mn.us

Free

Waseca Library Events

Companion Gardening

Local gardener extraordinaire Stacey Weichert will share tricks to help increase your garden's yield at Waseca Public Library on Thursday, April 27th at 12 pm. Learn what plants help each other thrive when planted in the same bed. *Free and open to the public.* Sponsored by the Friends of the Waseca Public Library.

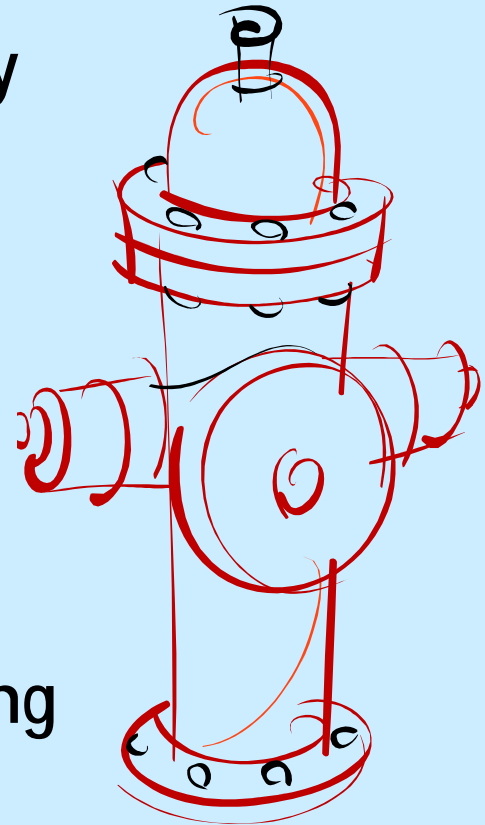
MEDIA: Please contact Waseca Public Library (507-835-2910 or mwhite@tds.lib.mn.us) with questions.

Water Hydrant Flushing!

The City of Waseca's Water Utility will be flushing fire hydrants beginning Monday, April 24th...

Utility workers will be moving: Southwest to Southeast, then Northwest to Northeast...

Rusty water may be evident during this time and shortly after...



MORE INFO → Call Utility Billing @ 835-9718



May 2017

May 2017							June 2017						
Su	Mo	Tu	We	Th	Fr	Sa	Su	Mo	Tu	We	Th	Fr	Sa
	1	2	3	4	5	6					1	2	3
7	8	9	10	11	12	13	4	5	6	7	8	9	10
14	15	16	17	18	19	20	11	12	13	14	15	16	17
21	22	23	24	25	26	27	18	19	20	21	22	23	24
28	29	30	31				25	26	27	28	29	30	

	Sunday	Monday	Tuesday	Wednesday	Thursday	Friday	Saturday
Apr 30 - May 6	Apr 30	May 1 SPRING CLEANUP	2 12:00pm Airport Bd (Airport) 7:00pm City Council mtg (Council Chambers)	3	4	5	6
	7	8 8:30am B.E.S.T. mtg (SROC) 5:30pm Human Rights Commission (East Conf Rm)	9 5:00pm DWT mtg (Public Safety Bldg) 7:00pm Plan Comm mtg (Council Chambers)	10	11	12	13
May 7 - 13	14	15 5:00pm HPC mtg (Council Chambers)	16 7:00pm City Council mtg (Council Chambers)	17	18	19 7:00am EDA mtg (Council Chambers)	20
	21	22	23	24	25	26	27
May 14 - 20	28	29 OFFICES CLOSED	30	31 6:00pm Fire Relief Assoc. (Fire Station)	Jun 1	2	3
	May 21 - 27						
May 28 - Jun 3							